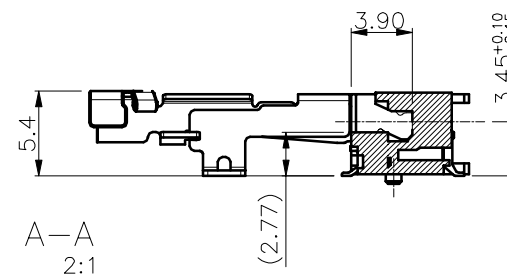
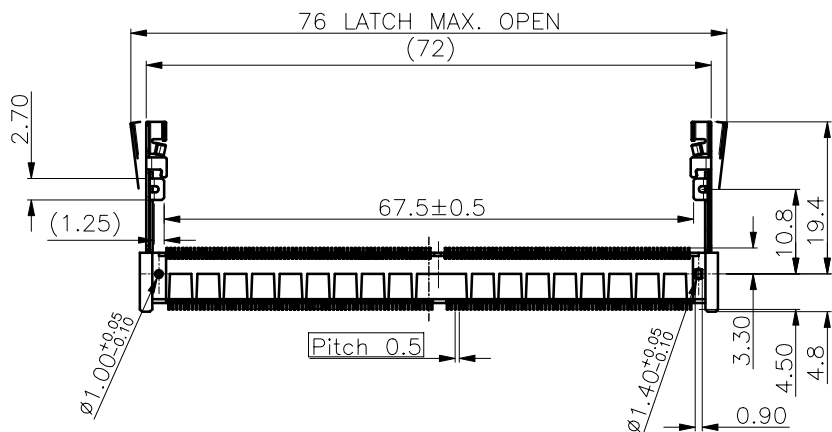
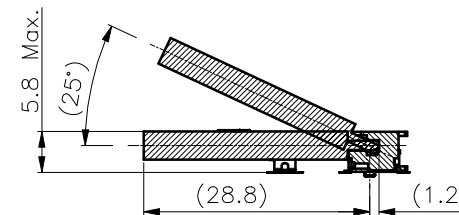
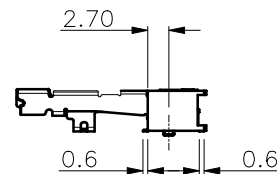
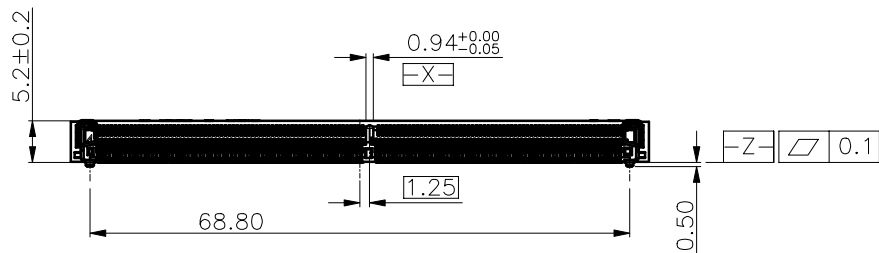


NOTES:

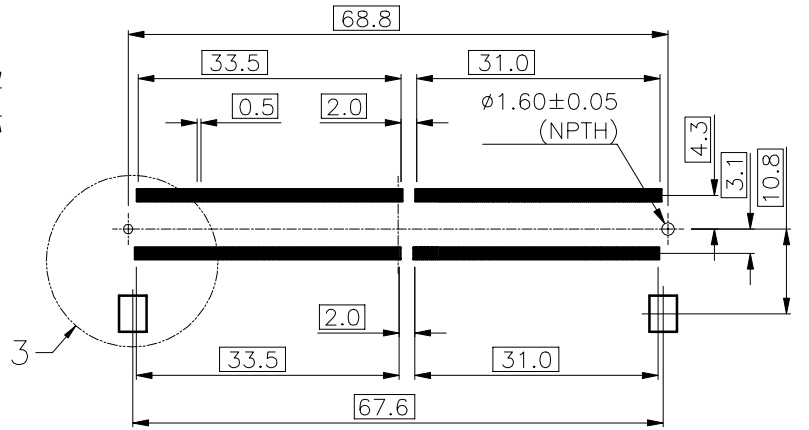
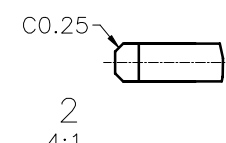
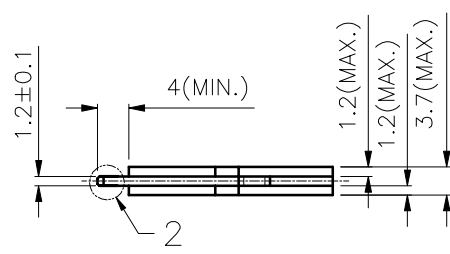
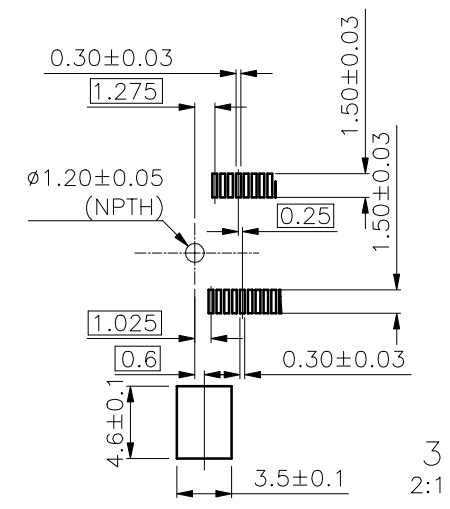
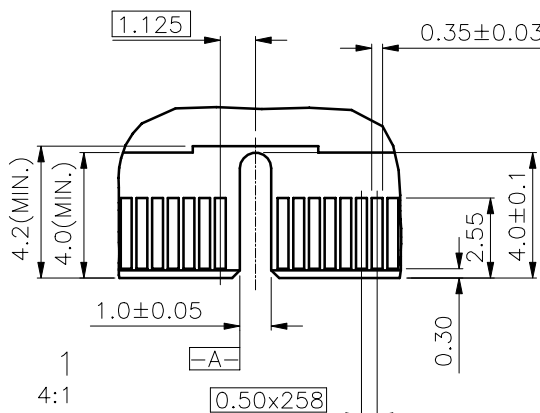
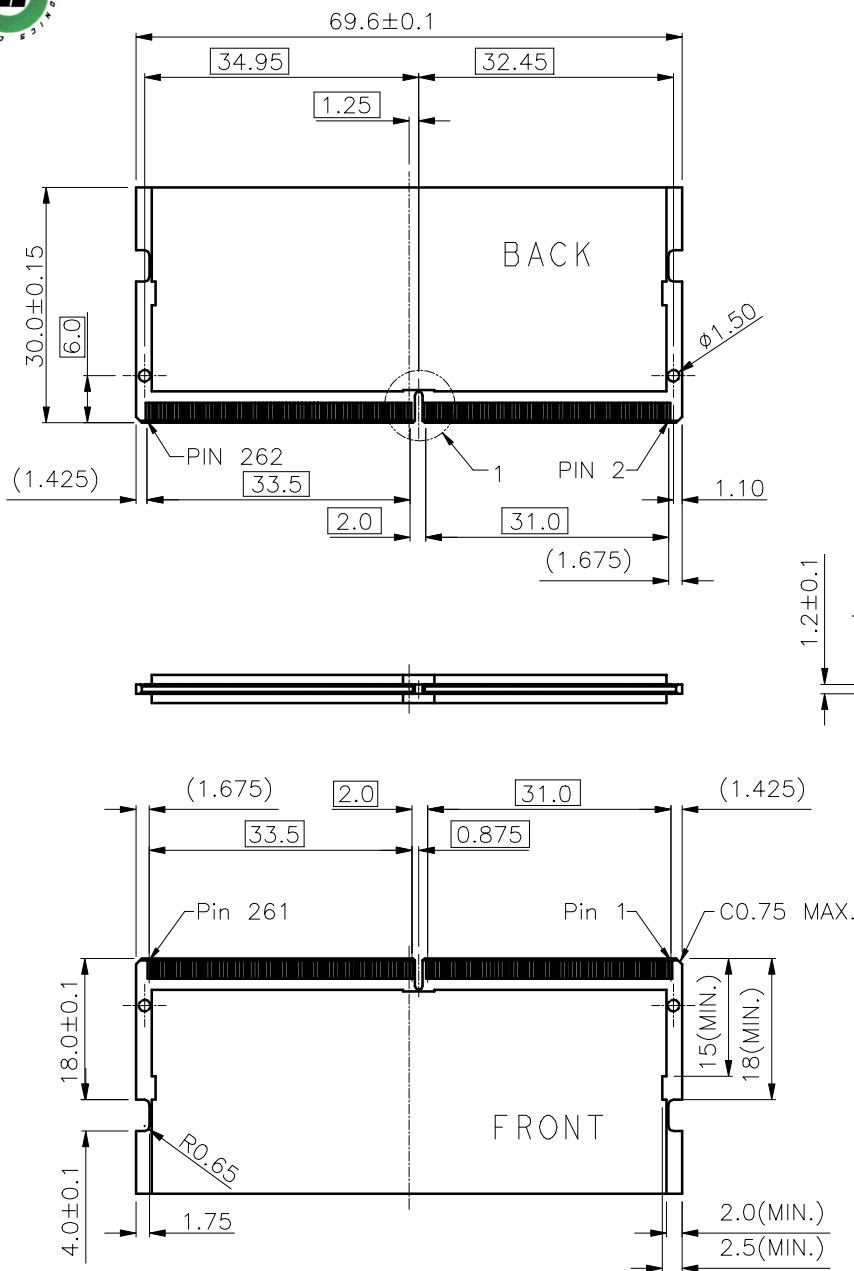
1. MATERIAL:
  - 1.1 HOUSING: THERMOPLASTIC, HIGH TEMP., UL94V-0; COLOR:BLACK.
  - 1.2 CONTACT: PHOSPHOR BRONZE
  - 1.3 LATCH: SUS
2. FINISH:
  - CONTACT:SEE ORDER INFORMATION.
  - UNDERPLATING: 50~100u" NICKEL OVERALL.
3. REFLOW SOLDER CAPABLE TO 260°C PER ACES SPEC.
4. LOGO/MARK HEIGHT 0.01mm ABOVE SURFACE
5. SPEC. PLS. REFER TO PS-52747-xxxxx-xxx
6. PACKAGE PLS. REFER TO 52749-xxxCR-U
7. PART NUMBER  
52748-xxx X X -001

CKTS	CONTACT PLATED
262. 262PIN	2.GOLD FLASH ON CONTACT
PACKAGE	G.GOLD 10u" ON CONTACT
0.TAPE & REEL	1.GOLD 1u" ON CONTACT



A-A  
2:1

QUALITY SYMBOLS MAJOR CRITICAL GENERAL TOLERANCES (UNLESS SPECIFIED) X. ±0.5 .X ±0.25 .XX ±0.15 .XXX ±0.1 ANGLES ±2°	DRAWN BY <b>CHEN CHUN YUAN</b>	DATE 23'/08/31		
	CHECKED BY <b>TSOI CHIAO</b>	DATE 23'/08/31		TITLE DDR 5 CONN. 262 Pin H 5.2 STD Type
	APPROVED BY <b>HUANG KUO HUA</b>	DATE 23'/08/31		
	UNITS mm			SIZE A4
SCALE 1:1	SHEET NO. 1 OF 2	REV C	DWG NO. 52748-xxxxx-xxx	



RECOMMEND PCB LAYOUT(STANDARD)  
THE TOLERANCE UNLESS SPECIFIED IS ±0.05MM

QUALITY SYMBOLS MAJOR CRITICAL GENERAL TOLERANCES (UNLESS SPECIFIED) X. ±0.5 .X ±0.25 .XX ±0.15 .XXX ±0.1 ANGLES ±2°	DRAWN BY <b>CHEN CHUN YUAN</b>	DATE 23'/08/31	
	CHECKED BY <b>TSOI CHIAO</b>	DATE 23'/08/31	
	APPROVED BY <b>HUANG KUO HUA</b>	DATE 23'/08/31	RFO NO. N/A
UNITS mm		SIZE A4	
SCALE 1:1	SHEET NO. 2 OF 2	REV C	DWG NO. 52748-xxxxx-xxx